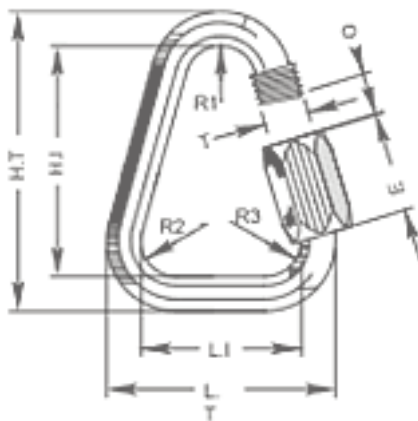


Delta Maillon Rapide connector



Product Code:
DZ10

Conformance:
BS EN 362
BS EN 12275

Gate Opening:
12mm

Breaking Strength:
45kN

Material:
Zinc Plated Steel

Weight:
153 grams

Size		Dimensions - mm								CR	BL
mm	inch	L.T	L.I	H.T	H.I	O	E	R-1-2-3	T	large axis	small axis
10.0	7/16"	66	46	87	67	12	29	10.25	13	45kN	10kN