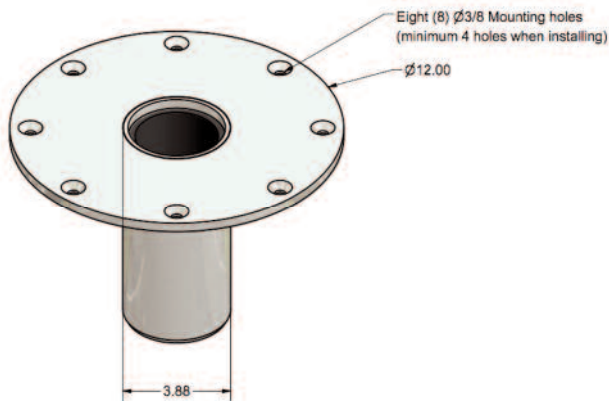


## 30021 Flush Floor Mount

Flush Floor Mount for Existing Concrete  
Designed to be used with Davit Arms  
To be set into existing concrete



Product Code:  
30021

Conformance:  
BS EN 795 TYPE B

Weight:  
7.8kg

Mild Steel with CS-500 finish